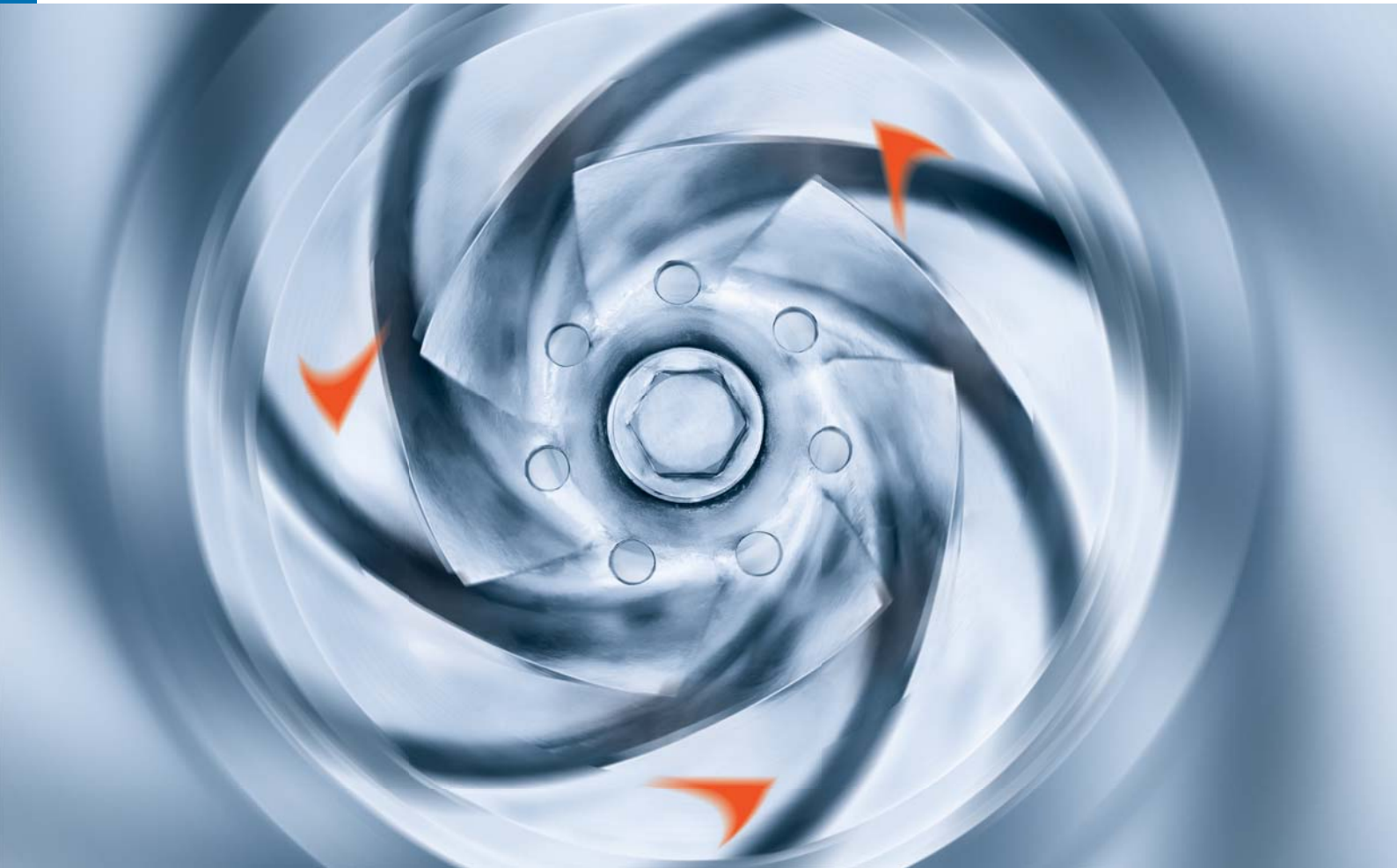


ANDRITZ Centrifugal Pump

ACP Series



High efficiency and robust design

For over 100 years, ANDRITZ has been a byword for competence and innovation in designing centrifugal pumps.

As suppliers of complete production systems for the pulp and paper industry we have acquired broad expertise of the related process technologies – the basis for our successful development of components for conveying stock and pulp.

ANDRITZ Centrifugal Pumps are operating successfully all over the world. They offer robustness and wear resistance and thus fulfil high customer expectations in terms of efficiency, life cycle, maintenance friendliness and economic efficiency.

Modular system

The standard components in ANDRITZ Pumps provide high availability and enable the use of proven components.

Fields of application:

- Pulp and paper industry
- Water supply and waste water treatment
- Power industry
- Food industry (e.g. sugar)
- Bioethanol
- Chemical industry

The facts:

- Flow rates up to 6,000 m³/h
- Heads up to 160 m
- Casing pressure up to 25 bar
- Temperatures up to 200°C
- Consistencies up to 6%
- Efficiency up to 90%
- Only five bearing support sizes for the entire series!

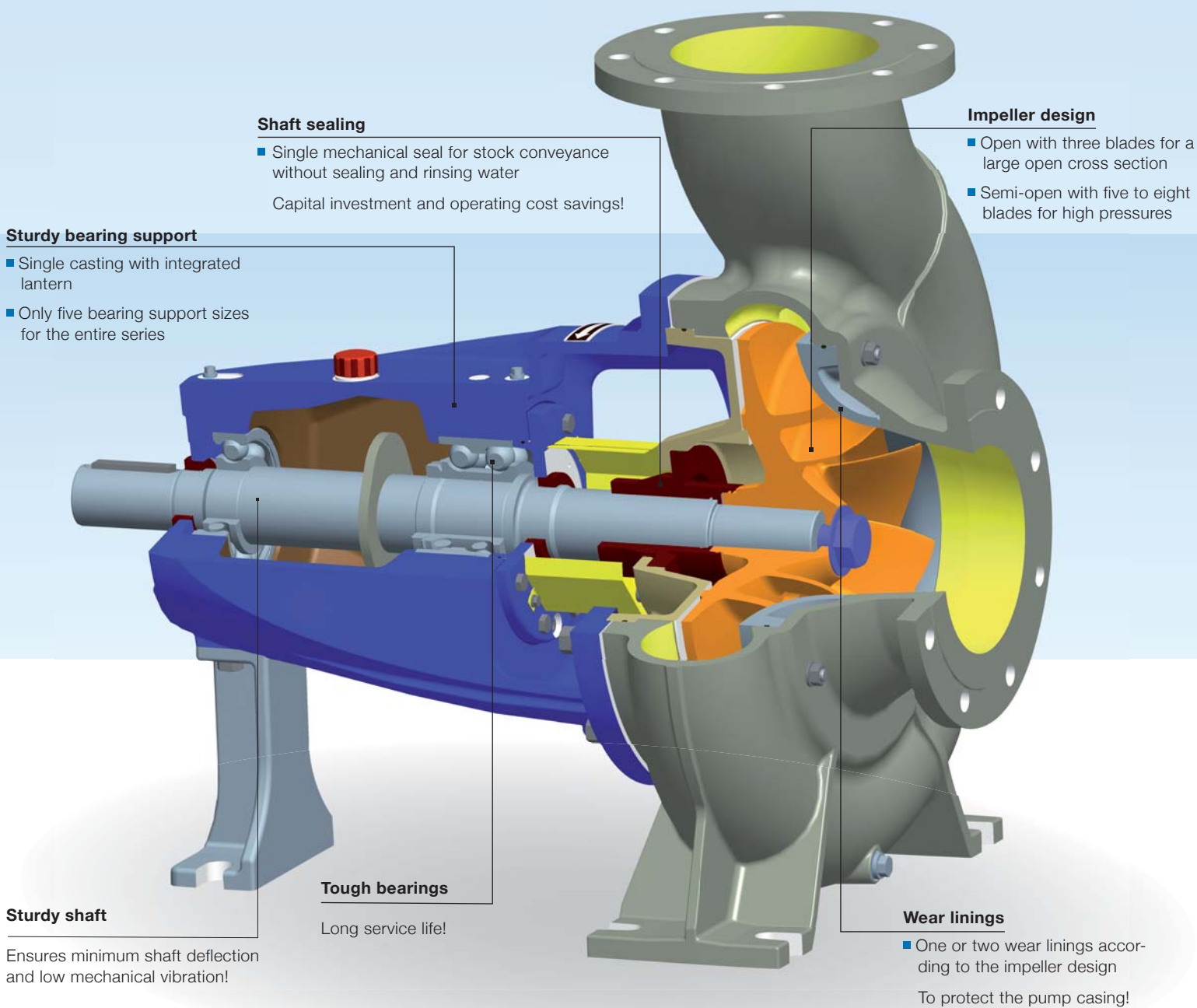


Technology to convince you

The high standard of ANDRITZ Centrifugal Pumps, ACP Series, is based on decades of experience in designing hydraulic machines and on extensive process know-how.

Proven open-impeller design

The open-impeller design of the ANDRITZ Centrifugal Pumps ACP Series is characterized by low axial thrust. With its open channels, it is suitable for conveying many different media.



Shaft sealing

- Single mechanical seal for stock conveyance without sealing and rinsing water
- Capital investment and operating cost savings!

Impeller design

- Open with three blades for a large open cross section
- Semi-open with five to eight blades for high pressures

Sturdy bearing support

- Single casting with integrated lantern
- Only five bearing support sizes for the entire series

Tough bearings

Long service life!

Sturdy shaft

Ensures minimum shaft deflection and low mechanical vibration!

Wear linings

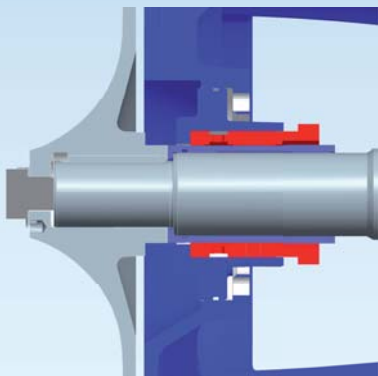
- One or two wear linings according to the impeller design
- To protect the pump casing!

High research and development capabilities

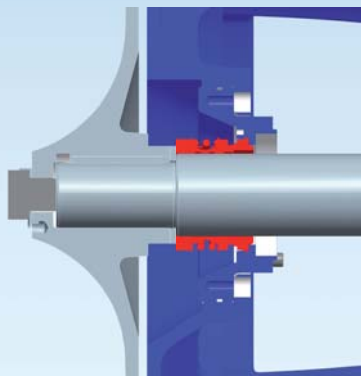
We run a pilot plant at our affiliate ASTRÖ, which enjoys international renown for its hydraulic developments and investigations. The high quality, safety and reliability of the ACP Series Pumps are ensured by extensive model testing.



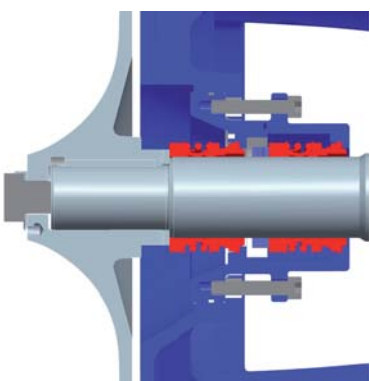
Various sealing systems



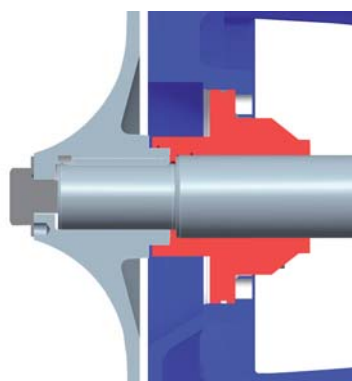
Stuffing box seal



Single mechanical seal



Tandem mechanical seal

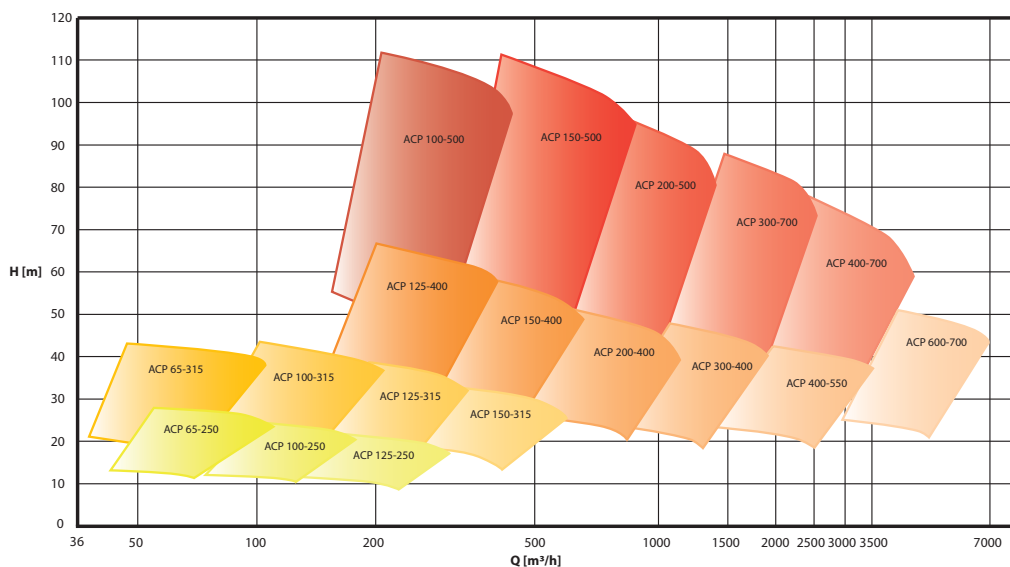


Single or double cartridge seal

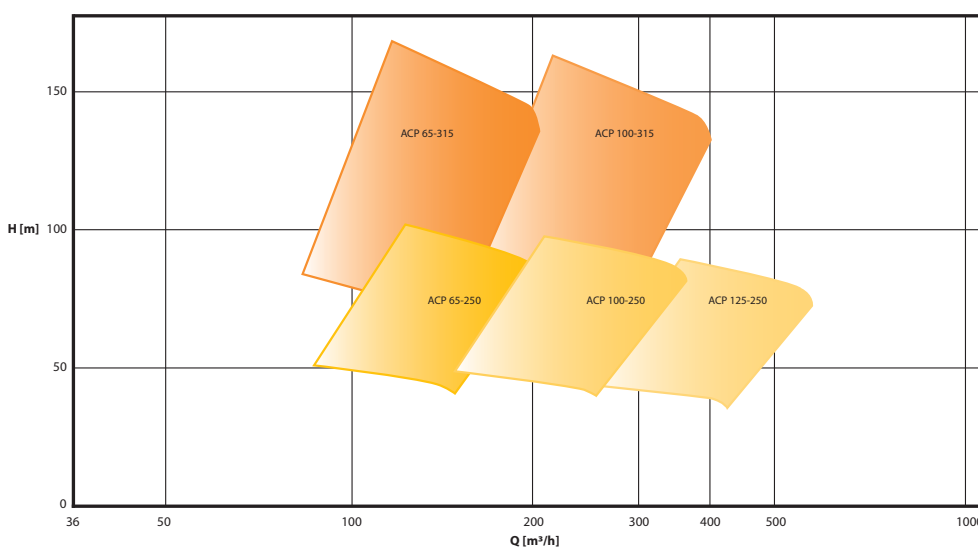
Characteristic curves

Centrifugal Pumps, ACP Series

Characteristic curves 1,500 and 1,000 rpm



Characteristic curves 3,000 rpm

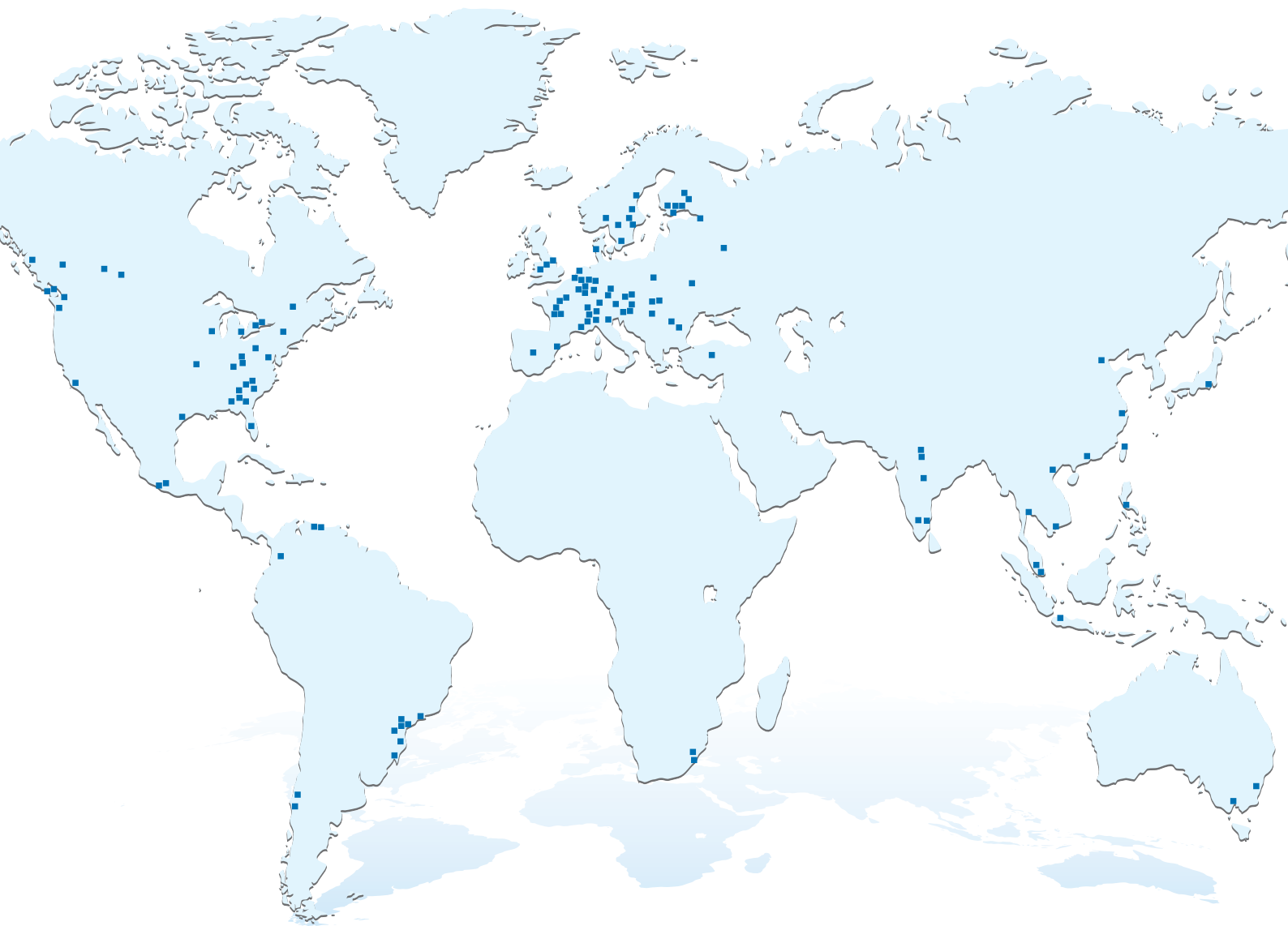


Material combinations

ACP Series	EN-GJL 250	1.4460	1.4021	1.4462	1.4517	1.4517 h	1.4404	1.4439	1.4469
Impeller		■			■	■			■
Casing/casing cover	■	■							■
Bearing housing	■								
Front lining		■			■	■			■
Stuffing box body	■	■							■
Shaft				■					

European standard		US standard	
Number	Name	Grade	UNS
EN-JL1040	EN-GJL 250	Class 40B	/
1.4460	X3CrNiMoN27-5-2	Grade 1A	J93370
1.4462	X2CrNiMoN22-5-3	S32205	S32205
1.4517	GX2CrNiMoCuN25-6-3-3	Grade 1C	J93373
1.4517 h	GX2CrNiMoCuN25-6-3-3	Grade 1C	J93373
1.4469	GX2CrNiMoN26-7-4	Grade 5A	J93404

Close to our customers

**ANDRITZ AG**

Stattegger Strasse 18
8045 Graz, Austria
Phone: +43 (316) 6902-3020
Fax: +43 (316) 6902-413
marlene.eder@andritz.com

www.andritz.com